

Quick Start Guide Ethernet to RS232 /485 Serial Converter

1 HARDWARE INSTALLATION




- 5. In Power supply
- 6. In Ethernet LAN
- 7. Out RS232 port
- 8. Out RS485 port

Connect power supply **1** with main adaptor.

Use a standard Ethernet cable to connect input **2** to socket, PC, Switch or Hub.

2 SERIAL PORT

RS-232 DB9 Male Port (out **3**)

 DB9 male Port	Pin NO	2	3	5	1,4,6, 7,8,9
	Definition	RXD	TXD	GND	NC

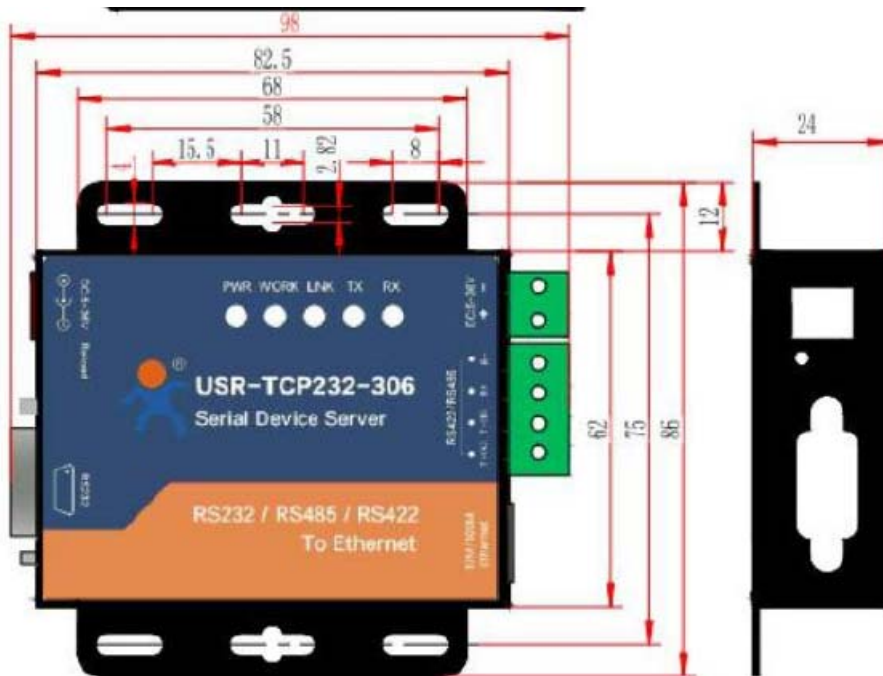
Connect your ELC product (ALR3220, GF467,...) with cable female to female.

PORT RS485 (out 4)



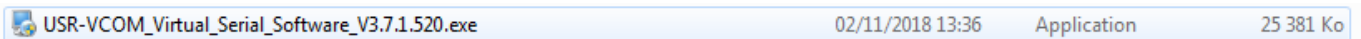
Connect with twisted wire (not supplied) T+ and T- to D+ et D- to ELC product (ALR3220, 3206D, 3206T,...).

3 SIZE CONVERTER



4 SOFTWARE INSTALLATION

Download USR-VCOM_Virtuel_Serial_Software_Vxxxxx and install Virtual COM software - VCOM :



Note : Be sure you have administrative rights and disable any firewalls/anti-virus software when install software.

5 CONFIGURE USR-TCP232-306

Assign a static IP address to your computer in the **192.168.0.2 to 198.168.0.254** range.
Mask **255.255.255.0**

This is necessary to ensure that your computer can communicate with your module.

The default IP address is **192.168.0.7** Open your web browser and enter this IP to connect with 306 for configure :

DEFAULT PARAMETERS	
User name	admin
Password	admin
IP address	292.168.0.7
Mask	255.255.255.0
Gateway	192.168.0.1
Work Mode	TCP Client
Local Port	0
Baud Rate	115200
Target Port	8234
Target IP	192.168.0.201
Parity bit/Data/Stop bit	None/8/1

6 QUICK USE

Make sure that you just use one network card, then connect our serial server to the same LAN and power on

1- Double click on short-on on the desk :

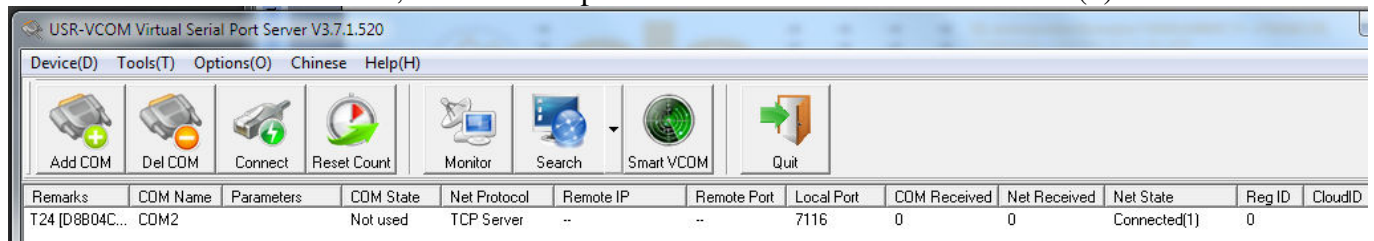


2-click « Smart VCOM » in the toolbar. Then it search our serial server within the LAN

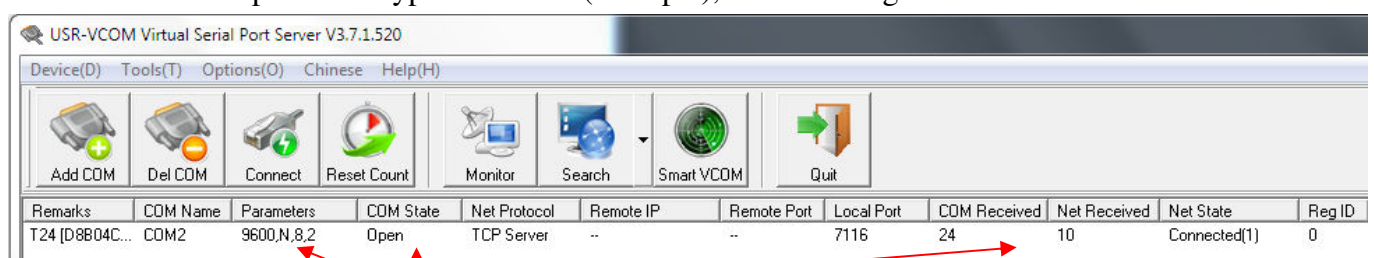


3- Device searched appear. Click "Next" config the mark the device and create virtual serial port.

4- Click "Finish" after created, virtual serial port list "Net State" show "Connected (x)"



Send data to serial port with hyper Terminal (example), the list change :



7 HARDWARE SPECIFICATIONS

Serial Ethernet data transmission

USR-TCP232-306 is a serial rs485/rs232/rs422 to Ethernet server, used for data transparent transmission. Server function is to realize bidirectional transparent transmission between serial port and Ethernet. USR-TCP232-306 is internally integrated with TCP/IP protocol. User can apply it to device networking communication.

- Support DNS function
- Support DHCP, automatically obtain an IP address and query IP address through serial setting protocol
- Set parameters through webpage
- Upgrade firmware via network
- Auto-MDI/MDIX, RJ45 port with 10/100Mbps
- Serial port baud rate from 600 bps to 230.4 Kbps, check bit of None, Odd, Even, Mark and Space
- Work mode : TCP Server, TCP Client, UDP Client, UDP Server, HTTPD Client
- Restore factory default
- Heartbeat package mechanism to ensure connection is reliable, put an end to dead link
- User-defined registration package mechanism, check connection status and use as custom packet header
- Across the gateway, switches, routers
- The global unique MAC address bought from IEEE, user can define MAC address
- Support virtual serial port and provide corresponding software USR-VCOM
- Under TCP Server mode, Client number ranges from 1 to 16; default number is 4
- Can work in LAN, also can work in the Internet

- Provide PC TCP/IP socket programming example such as VB, C++, Delphi, Android and IOS
- Support customization

Serial	
Port Number	3
Interface Standard	RS232, RS-485, RS422
Data Bit	5,6,7,8
Stop Bit	1,2
Check Bit	None, Even, Odd, Space, Mark
Baud Rate	60 bps ~ 230.4 Kbps
Buffer	Receive : 800 bytes
Ethernet	
Rate	10/100 Mbps, MDI/MDIX, auto switch between cross and direct connection
Interface standard	RJ45
Port Number	1
Network Protocol	IP, TCP, UDP, DHCP, DNS, HTTP, ARP, ICMP
Protection	2kV electromagnetism isolation Shell insulation blocking
Buffer	Send : 6K bytes Receive : 4K bytes
Software	
Virtual Serial (USR-VCOM)	Windows 2000 or higher (32bit/64 bit)
Configuration	Computer set-up software Serial command Built-in webpage
Basic Parameter	
Size	98 x 85 x 24.5 mm
Operating Temp.	-25 ~75°C
Storage Temp.	-40 ~105°C 5 ~95 % RH
Input Voltage	DC 5 ~36V
Working Current	116mA @ 5V - 53mA @ 12V
Accessory	5V 1A power supply